

SpiroQuant A+ **Mass flow measurement**

SpiroQuant A+

Mass flow measurement

Accurate

- temperature compensated
- low pressure drop

Reliable

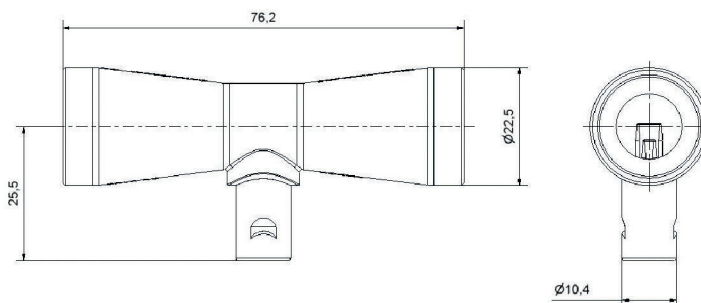
- fast response time
- long durability

Medical applications:

- ventilation monitoring
- service

Industrial applications:

- flow control
- process monitoring
- quality assurance



Technical data

Measuring principle	Constant temperature hot wire anemometry
Application	Designed for flow module SpiroQuant MAX (compatible with Dräger Spirolog sensor)
Flow range	0 to 160 SLPM
Accuracy	± 5 % reading with flow module SpiroQuant MAX (± 8 % used in Dräger ventilators)
Added Resistance	< 2.5 mbar
Pressure Range	± 100 mbar
Connection	Gold plated 4 pin (compatible with Dräger Spirolog sensor)
Operation temperature	+ 15 to + 40°C
Storage temperature	- 20 to + 40°C
Life time	Applicable as long as a sensor calibration is successful
Material	MABS
Disinfection	Single patient use recommended / disinfection in 70% ethanol solution without mechanical influence of hot-wires inside of sensor possible

Order Information

Part number

Flow sensor SpiroQuant A+ (Box of 5)	1000470
Flow module SpiroQuant MAX	1001487

EnviteC-Wismar GmbH
a Honeywell Company
Alter Holzhafen 18, 23966 Wismar, Germany
Phone: +49 (0) 3841 / 360-1
Phone: +49 (0) 3841 / 360-200 Sales
Fax: +49 (0) 3841 / 360-222

Internet: www.envitec.com
E-mail: info@envitec.com

ENVITEC
by Honeywell